

# Monarch Plus Screen (Double Doors)



## Installation Guide

- Please read installation instructions carefully before starting and follow installation procedures as indicated.
- Monarch Plus Screen™ is supplied fully manufactured to size ready to install there is no additional machining required.
- You will need the following equipment to install your Monarch Plus Screen™.  
Electric Drill, Phillips Head Screw Driver, Tape Measure, Spirit Level, Marking Pencil.

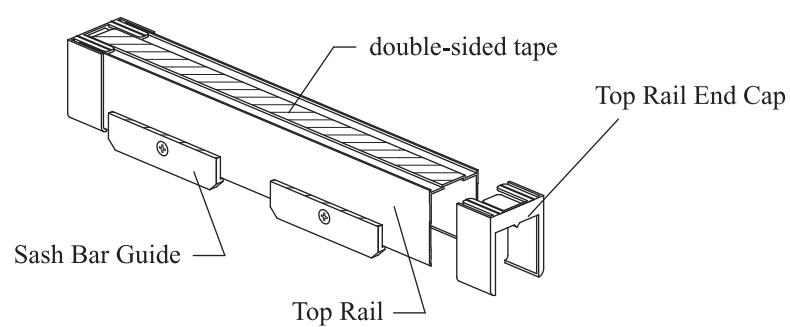
### Parts List

<p>Main Component Set (1 × Left Hand) (1 × Right Hand)</p>	<p>Jamb Fixing Plate (2)  (Jamb Fixing Plate is attached to the Main Component Set.)</p>	<p>Top Rail (1)</p>	<p>Floor Guide (1)</p>	<p>Top Rail Inner Guide (2)</p>
<p>Inner Rail Joiner (1)</p>	<p>Top Rail End Cap (2)</p>	<p>Cord Hook (10)</p>	<p>4# × 16mm Panhead Screw (16)  (Depending on the size of your Monarch Plus Screen™ some screws may not be used.)</p>	<p>M4 × 16mm Thrushead Screw (1)</p>

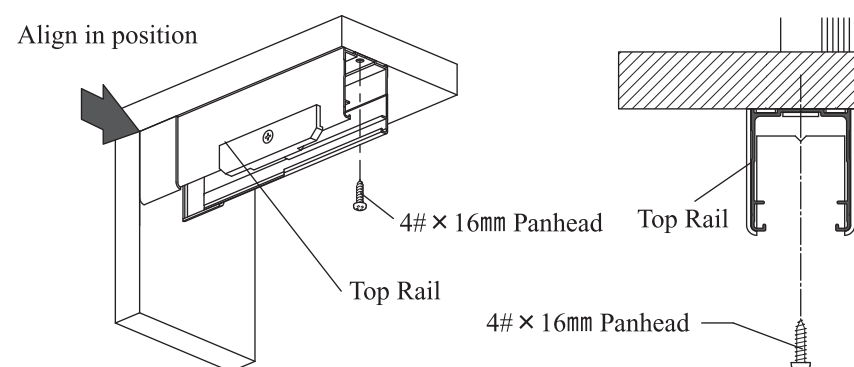
### Installation Procedure

#### 1 Install the Top Rail and the Top Rail Inner Guide

- (1) Insert the Top Rail End Caps to Both ends of the Top Rail.



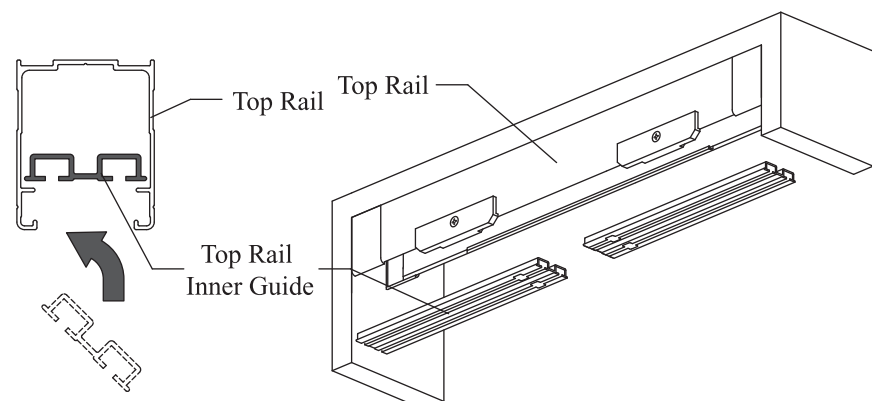
- (2) Mark the position that the Monarch Plus Screen™ is to be installed. Remove the double-sided tape backing from the upper surface of the Top Rail. Making certain that the Sash Bar Guide is facing inside the room align the inside face of the Top Rail Cap with the inside face of the door frame (or the pre determined fixing position) and affix the Top Rail temporarily with the double-sided tape.
- (3) Push the Top Rail End Caps towards the jamb on both ends of the Top Rail and fix the Top Rail in position with 4# × 16mm Panhead Screws.



- (4) Fit the Top Rail Inner guide to the Top Rail.

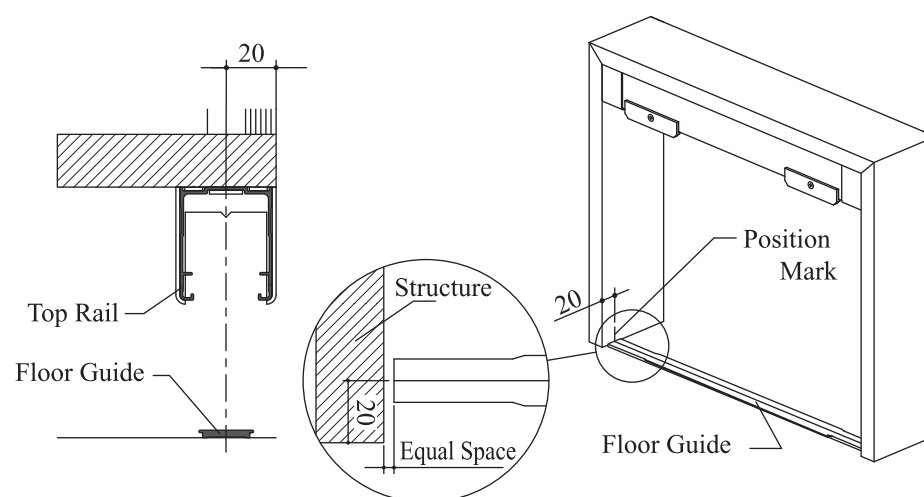
#### Caution

Ensure that the Top Rail Inner Guide slots are positioned to the centre of the opening.



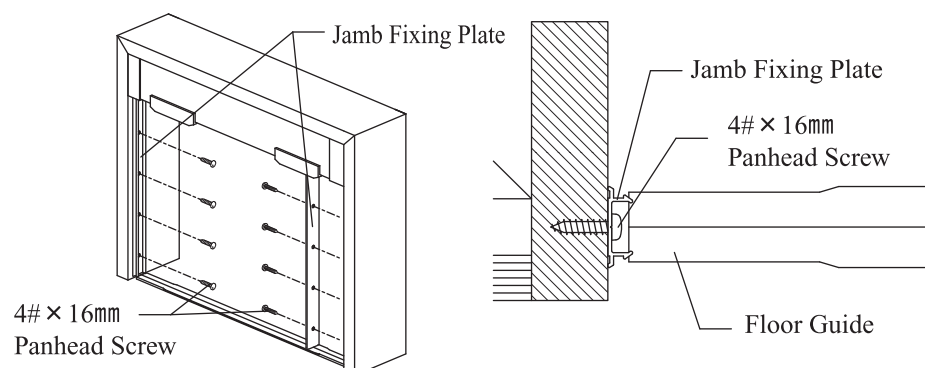
#### 2 Install the Floor Guide

Clean the surface that the Floor Guide is to be installed. Put a mark 20mm from the inner surface position, which is the centreline of the Floor Guide. Remove the backing from the double-sided tape. Align the centre of the Floor Guide V-Groove with the mark. Centre the Floor Guide equally between each jamb, press the Floor Guide firmly in position ensuring it is straight along its length.



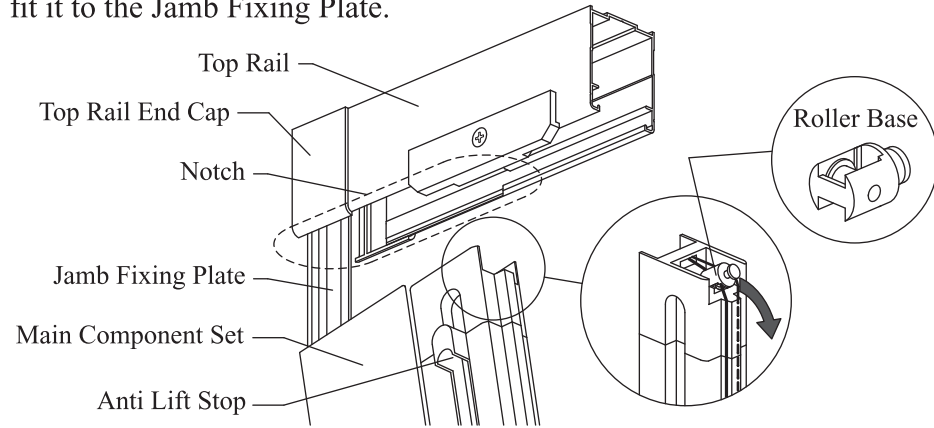
#### 3 Install the Jamb Fixing Plate

Remove the Jamb Fixing Plate from the Main Component Set. Align the centre V-Groove of the Jamb Fixing Plate with the centre of the Top Rail and the centre of the Bottom Floor Guide respectively.



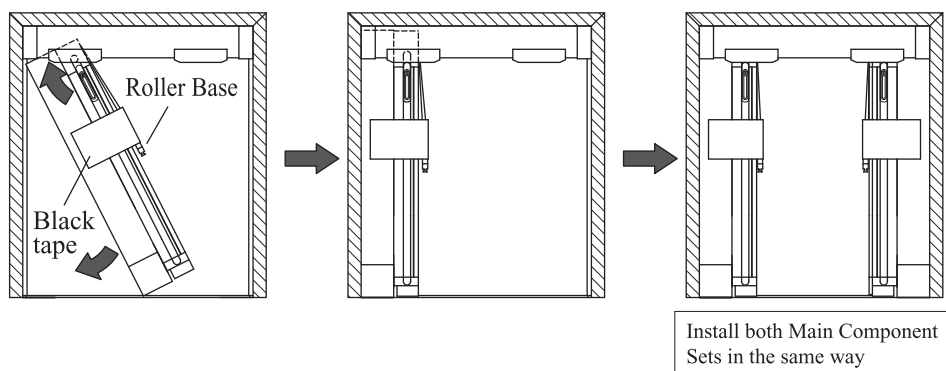
#### 4 Install the Main Component Set

Tilt the Main Component Set, insert it into the Top Rail notch and press fit it to the Jamb Fixing Plate.



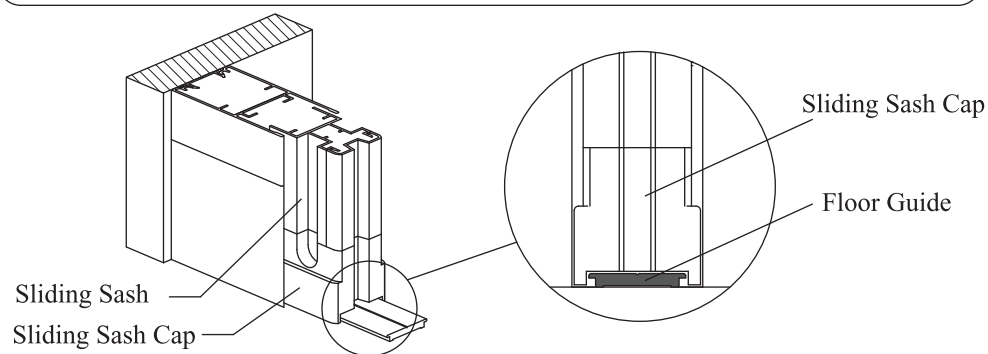
##### Caution

Do not remove the black tape from the Main Component Set at this point. Pull the Roller Base out of the housing at the top of the Sliding Sash Cap. Make sure the Anti Lift Stop on the Main Component Set is facing the inside of the room.



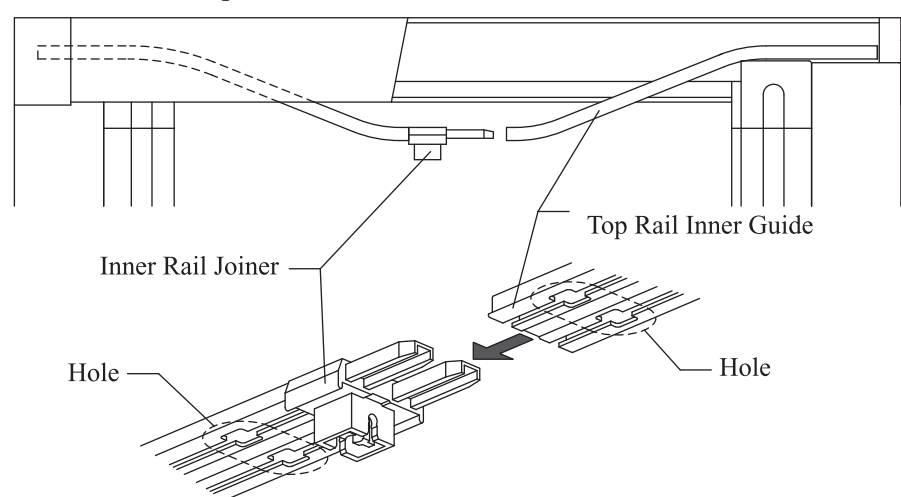
##### Caution

Make sure the Main Component Set is correctly located over the Floor Guide. Ensure the Main Component Set is set hard against the Floor Guide. **Note:** If there is a gap between the Main Component Set and the floor surface, the screen may not perform properly.



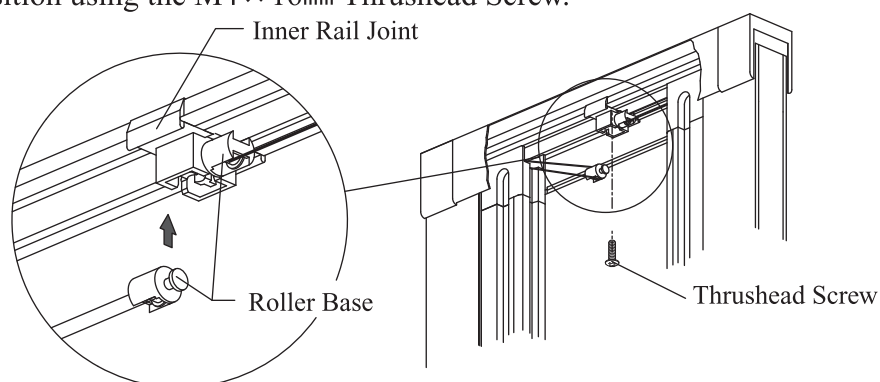
#### 5 Join Top Rail Inner Guides

Pull the centre parts of the Top Rail Inner Guides out of the Top Rail. Join the guides with the Inner Rail Joiner. Replace the Top Rail Inner Guides back inside the Top Rail.



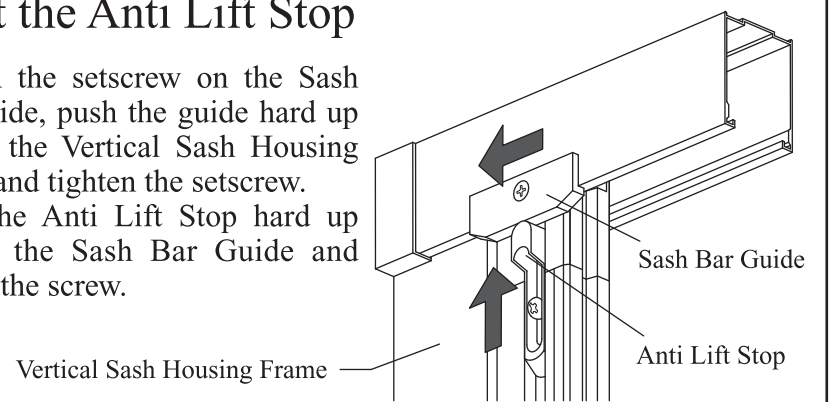
#### 6 Install the Roller Base

Remove the black tape from the Main Component Set. Insert the Roller Base into the Inner Rail Joint full stop. Retain the Roller Bases in position using the M4 x 16mm Thrushead Screw.



#### 7 Adjust the Anti Lift Stop

- (1) Loosen the setscrew on the Sash Bar Guide, push the guide hard up against the Vertical Sash Housing Frame and tighten the setscrew.
- (2) Push the Anti Lift Stop hard up against the Sash Bar Guide and tighten the screw.

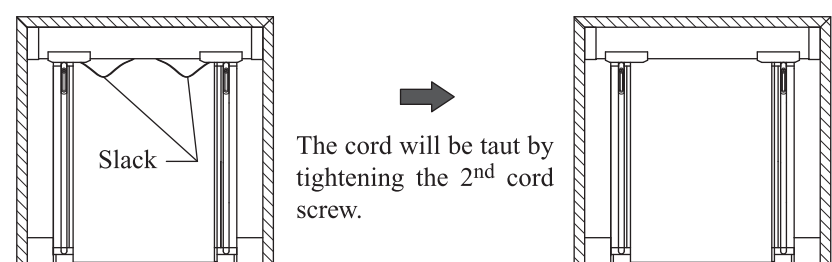


#### 8 Adjust the Sash Operation

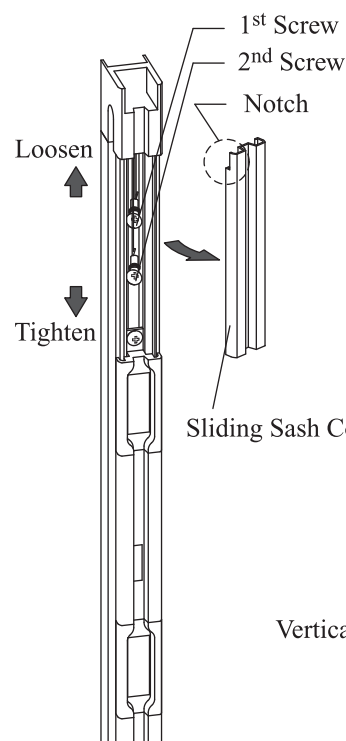
##### Caution

The system is designed to have some slack in the cord when the Main Component Set is installed. Be sure to adjust the cord.

Insert a flat head screwdriver into the notch in the Sliding Sash Cover at the top of the Sliding Sash and force open the cover. Tighten the 2<sup>nd</sup> screw cord in the Sliding Sash making the cord evenly taut on both sides.



If opening or shutting operation is tight or the Sliding Sash is not parallel, use the following procedure to adjust the cord.

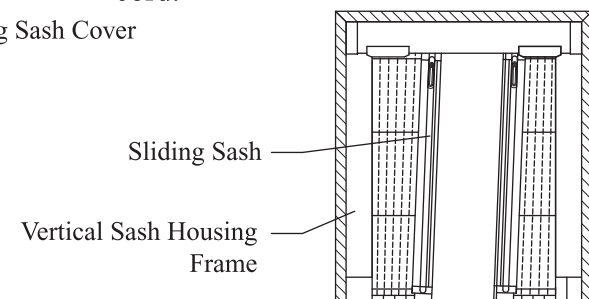


**When opening and shutting operation is tight ...** Lightly loosen the cord on the 1<sup>st</sup> and 2<sup>nd</sup> screw

**When the Sliding Sash is not parallel ...**

In the case of the drawing below to straighten the sash on the left side, slightly tighten the 1<sup>st</sup> screw cord and slightly loosen the 2<sup>nd</sup> screw cord.

In the case of the drawing below to straighten the sash on the right side, slightly loosen the 1<sup>st</sup> screw cord and slightly tighten the 2<sup>nd</sup> screw cord.

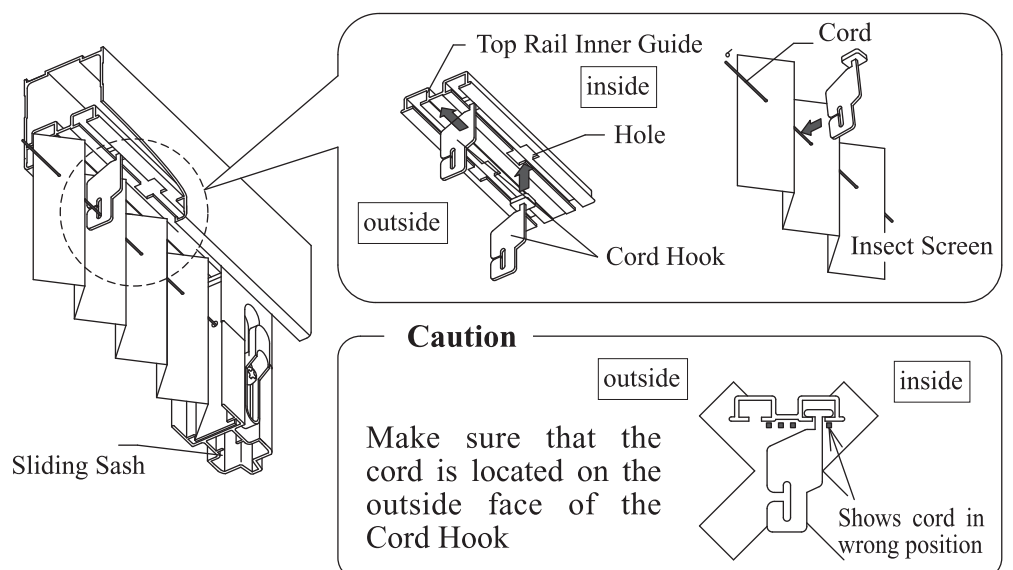


#### 9 Install the Cord Hook

- (1) Pull out the Sliding Sash on both sides, and bring together in the centre.
- (2) Insert the Cord Hook into the hole on the inner side of the Top Inner Rail Guide and latch it over the cord.

##### Caution

Install hooks at about 300mm intervals.



##### Caution

Make sure that the cord is located on the outside face of the Cord Hook