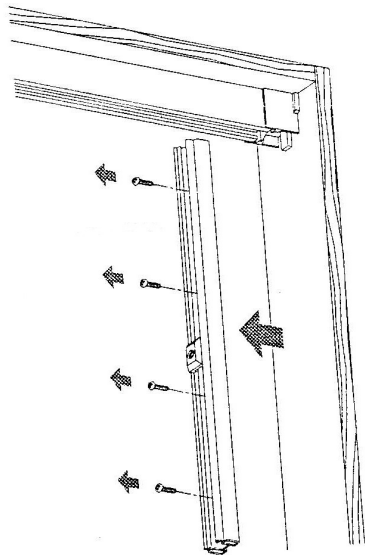
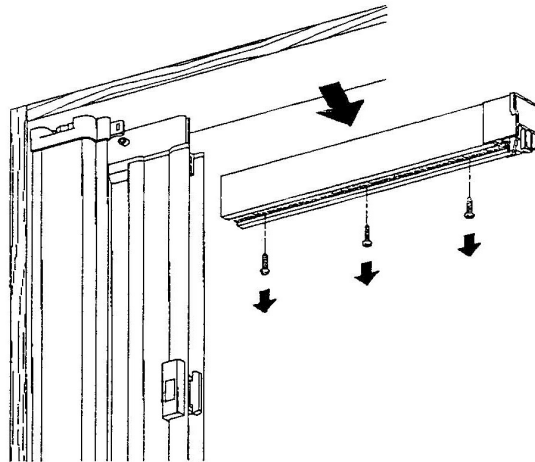


# <How to Remove the Screen Housing of Vista Plus Screen>

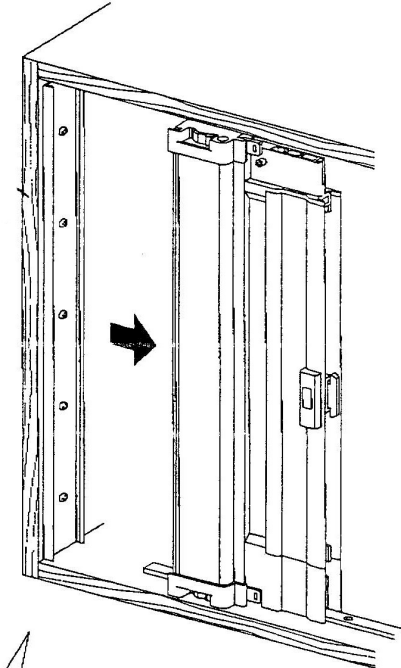
1. Remove the Bottom Rail and the Catch Frame by unscrewing.



2. Remove the Top Rail by unscrewing.



3. Remove the Screen Housing Assmly from teh Mounting Bracket.



Pry off by inserting the head of "-" screwdriver etc. into the space between the Screen Housing and the Mounting Bracket.  
\*Please pay attention not to scratch the aluminum surfaces.

A close-up technical drawing showing a screwdriver being inserted into the gap between the screen housing and the mounting bracket. The screwdriver is angled upwards, and a line connects it to the text above.