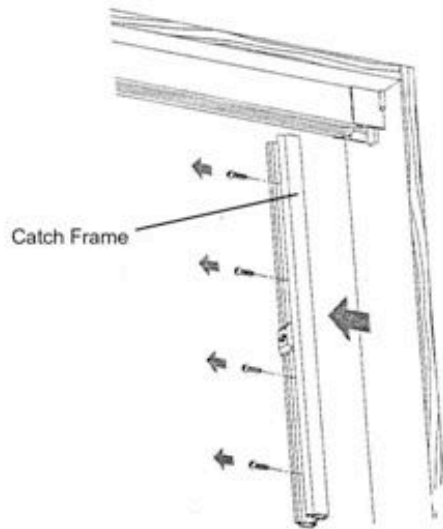
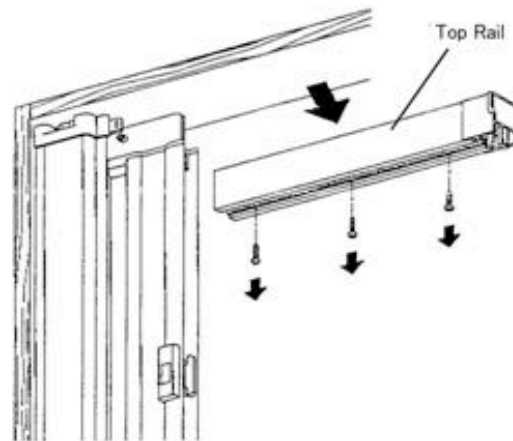


# <Vista Plus Screen Replacement Mesh Cartridge Installation Manual>

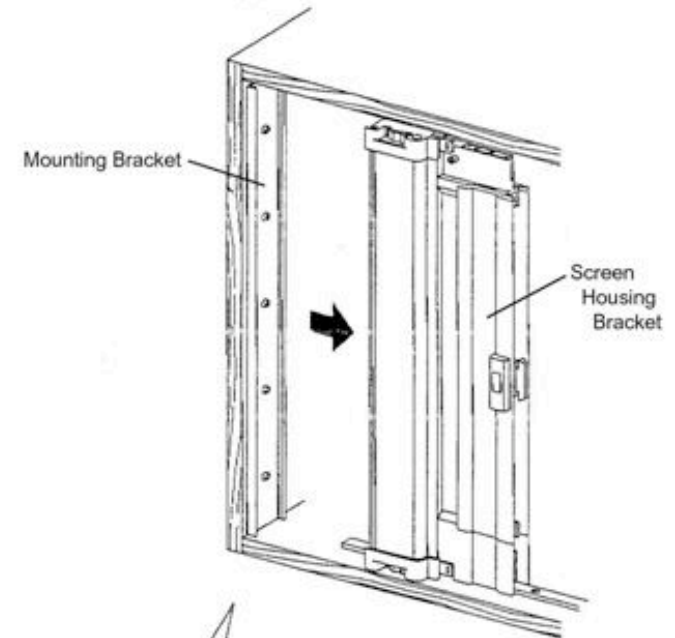
Step#1-A (for Single Screen)  
 <Remove the Screen Units>



1. Remove the Catch Frame by unscrewing.  
 \*If it can not be removed please remove the Bottom Rail firstly.

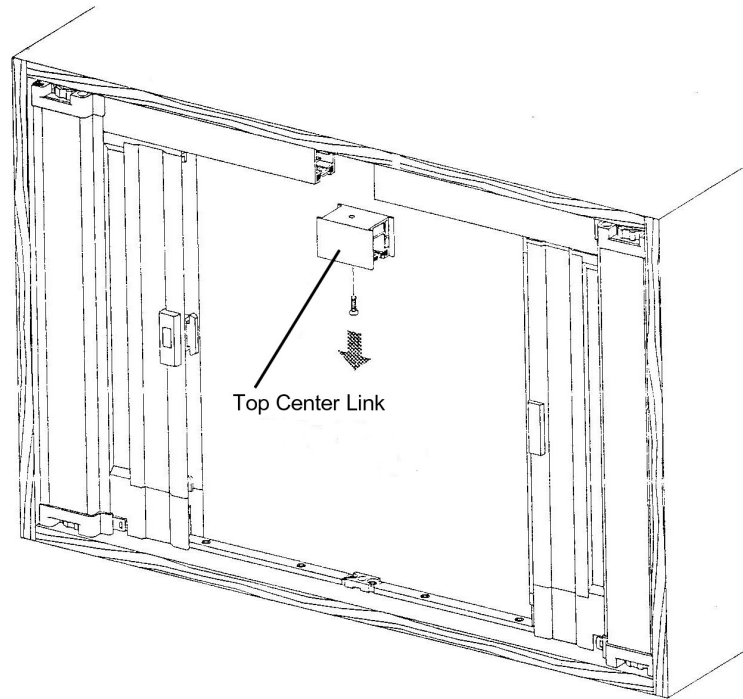


2. Remove the Top Rail by unscrewing.

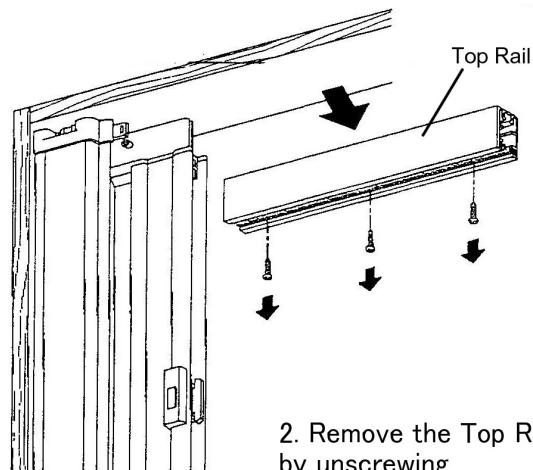


3. Remove the Screen Housing Assembly from the Mounting Bracket.

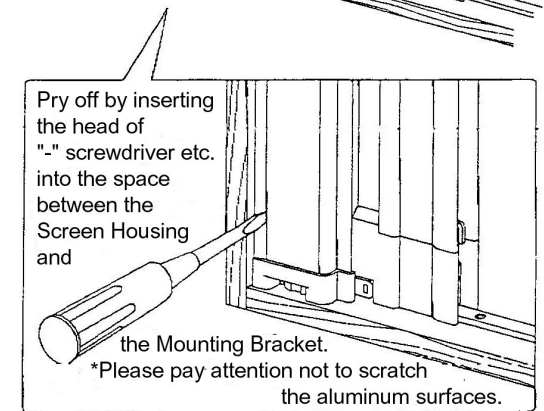
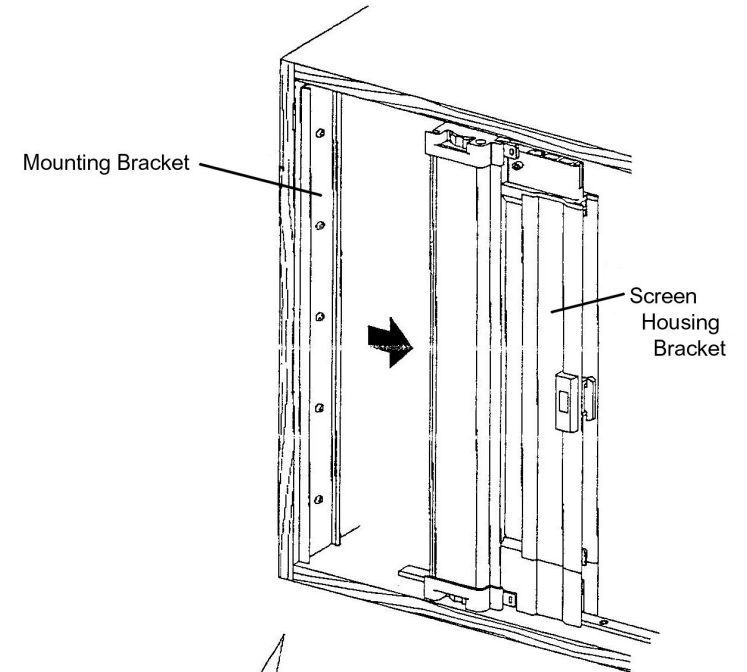
Step#1-B (for Double Screens)  
<Remove the Screen Units>



1. Remove the Top Center Link by unscrewing

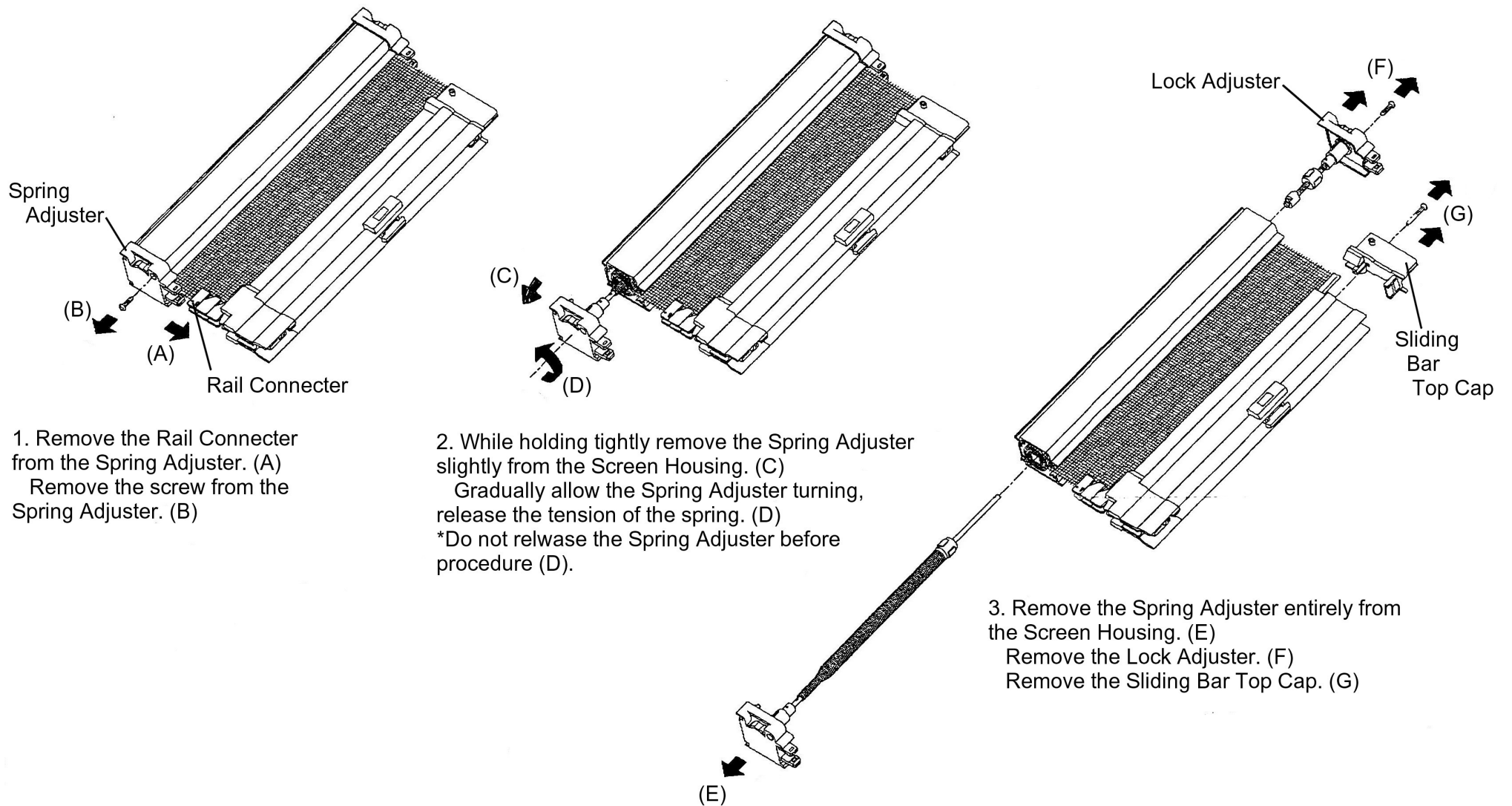


2. Remove the Top Rail by unscrewing



3. Remove the Screen Housing Assembly from the Mounting Bracket

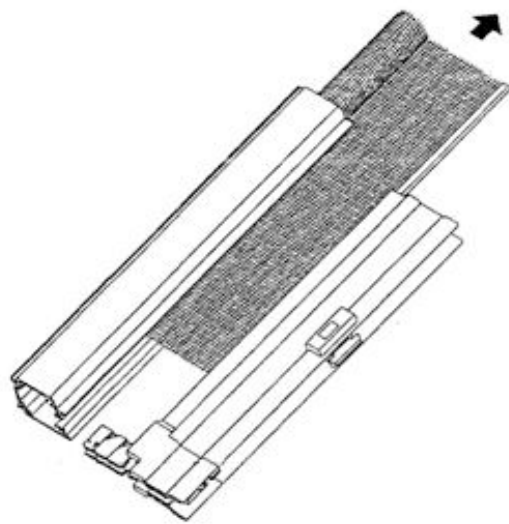
Step#2  
<Remove the existing Mesh>



1. Remove the Rail Connector from the Spring Adjuster. (A)  
Remove the screw from the Spring Adjuster. (B)

2. While holding tightly remove the Spring Adjuster slightly from the Screen Housing. (C)  
Gradually allow the Spring Adjuster turning, release the tension of the spring. (D)  
\*Do not relase the Spring Adjuster before procedure (D).

3. Remove the Spring Adjuster entirely from the Screen Housing. (E)  
Remove the Lock Adjuster. (F)  
Remove the Sliding Bar Top Cap. (G)



4. Pull the Mesh off from the Screen Housing and the Sliding Bar.

(Step#2)

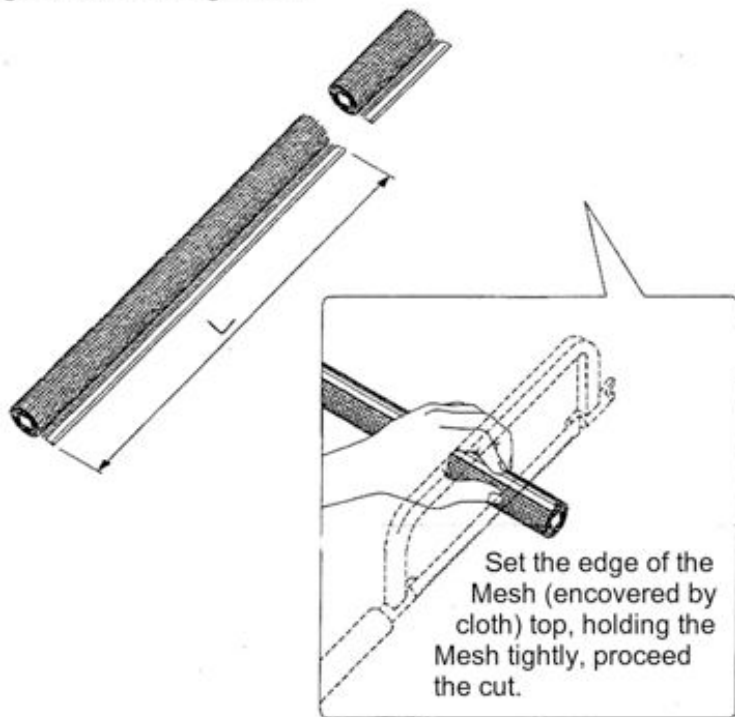
Step#3  
<Cutting the new Mesh>



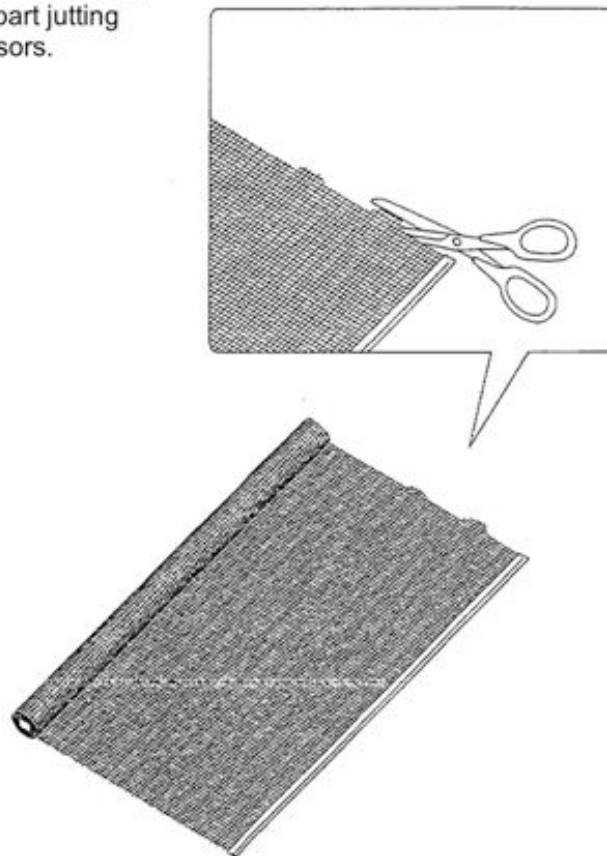
1. Measure the length of the existing Mesh.

(Step#3)

6. Confirm the length of the new Mesh Cartridge and compare this dimension to that of the existing Mesh. If the measurements of the existing and new Mesh Cartridges are the same, skip this step. If the length of the old Mesh is less than that of the Replacement Mesh Cartridge, measure and mark then cut the new Mesh to the same length as the existing Mesh.



7. Uncoil the cut Mesh, cut off the part jutting out by scissors.



(Step#3)

Step#4  
<Reinstall the Screen>

1. Reinstall the Screen onto the frame by reversing the procedures of Step#2 and #1. When resetting the spring tension, around 25 times rotation (toward the opposite way when released) of the Spring Adjuster will be needed. After complete reinstalling, if need, adjust the spring tension by turning the dial of the Spring Adjuster.

(Step#4)