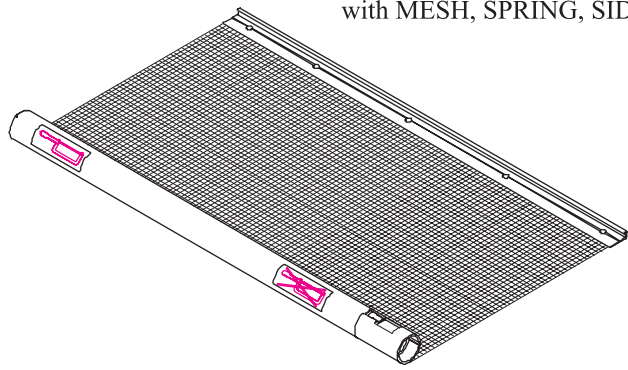
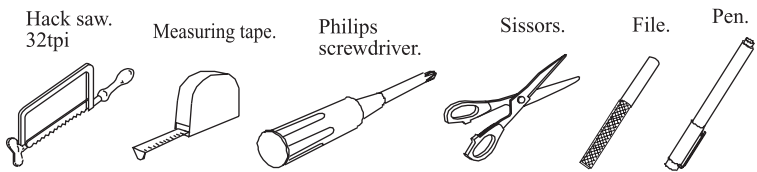


Step #1 Parts List.

Package contains one complete REPLACEMENT MESH CARTRIDGE, with MESH, SPRING, SIDE BAR, and MESH CYLINDER.

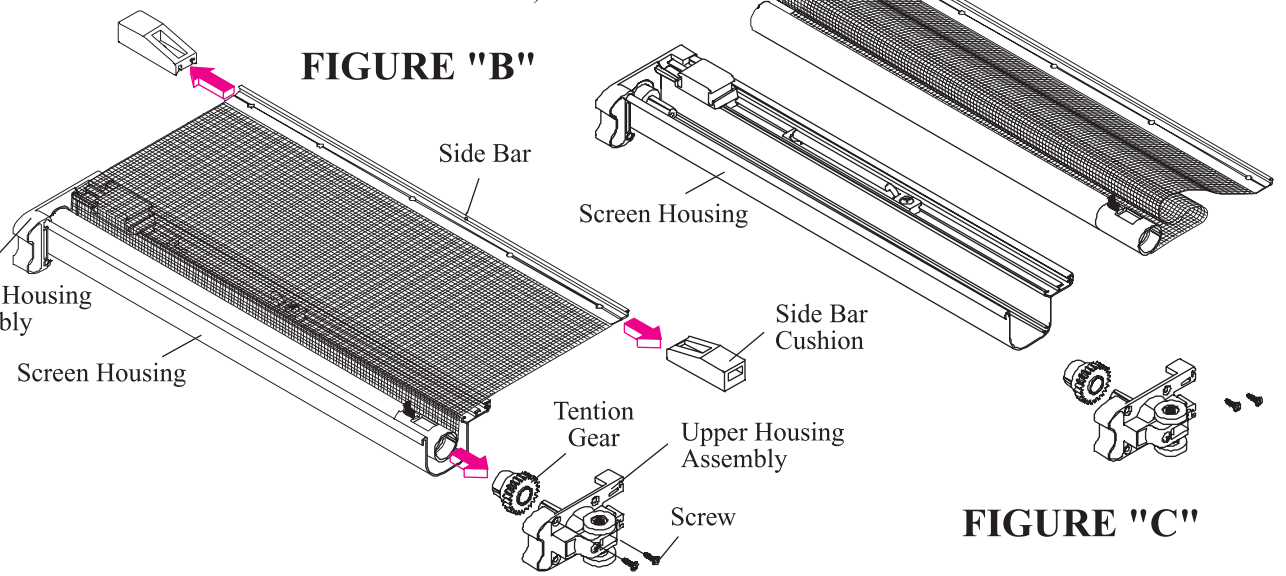
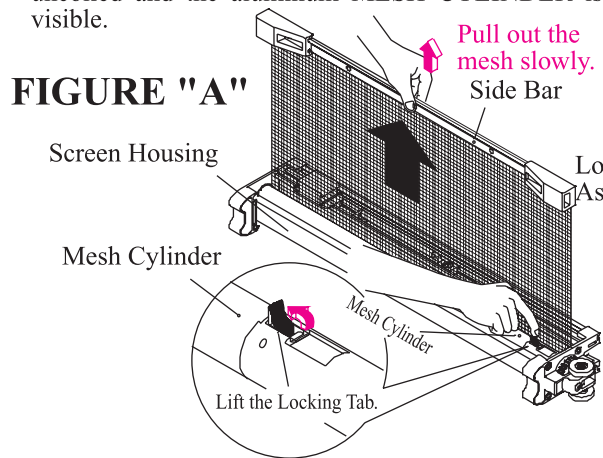


Tools Required (not included)



Step #2 Removing existing CARTRIDGE.

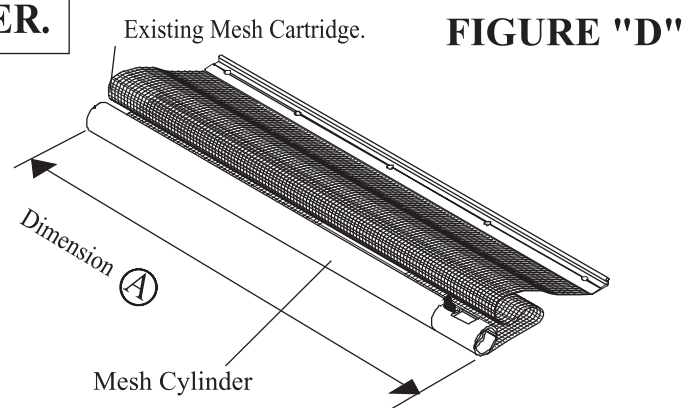
- (1) The first procedure is to remove the SCREEN HOUSING. To do this remove the screws in both the SIDE BAR and BOTTOM RAIL. Understand that both the SIDE BAR and BOTTOM RAIL are also held in place with double sided tape, gently pry both of these components from the door, being careful not to bend them. Then remove the END CAP from the TOP RAIL that is closest to the SIDE BAR. Once the SIDE BAR and BOTTOM RAIL are free, the SCREEN HOUSING will slide off the end of the TOP RAIL, you are now ready to replace the Mesh Cartridge.
- (2) Place the SCREEN HOUSING on the floor and slowly pull the SIDE BAR until all the MESH is uncoiled and the aluminum MESH CYLINDER is visible.
- (3) **NOTE**; One end of the MESH CYLINDER houses the SPRING with LOCKING TAB. Lift the LOCKING TAB and remove the HOUSING ASSEMBLY closest to the LOCKING TAB by removing the two screws on the top. (FIGURE "B" below illustrate the SPRING and LOCKING TAB being closest to the UPPER HOUSING ASSEMBLY, if the SPRING and LOCKING TAB are at the opposite end of the SCREEN HOUSING, remove the LOWER HOUSING ASSEMBLY.)
- (4) Remove both SIDE BAR CUSHIONS from the SIDE BAR by sliding them off the end of the SIDE BAR.
NOTE; If difficult to remove, tap them with a piece of soft wood.
- (5) Remove the existing MESH CARTRIDGE from the SCREEN HOUSING.



Step #3 Taking measurements from existing MESH CYLINDER.

Using a tape measure, measure the exact length of the old MESH CYLINDER, as represented by "DIMENSION A" in FIGURE "D". Write this dimension on a piece of paper and using the tape measure, verify this dimension once again to be certain.

NOTE; It is very important that this step is done correctly.



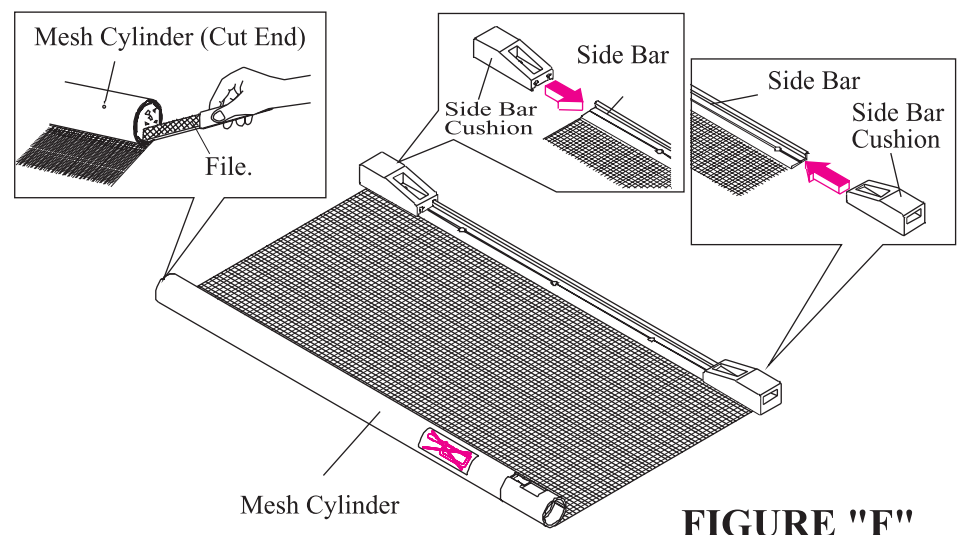
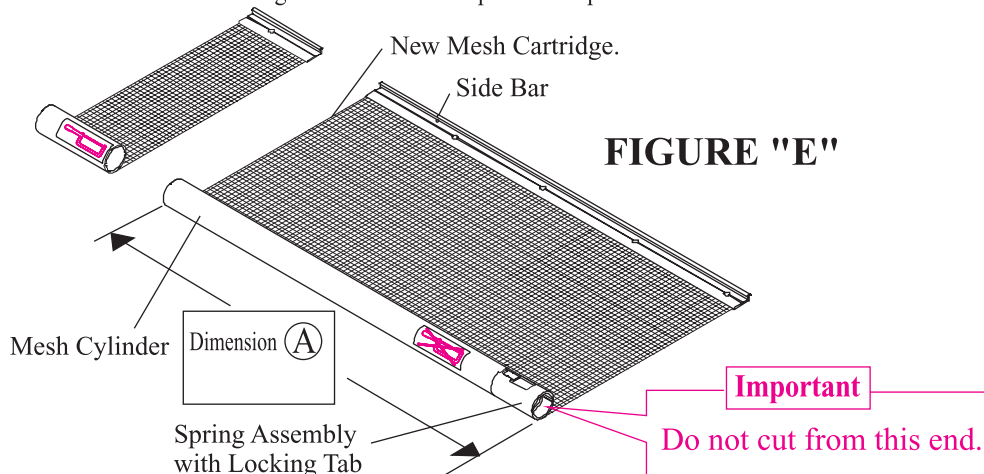
Step #4 Cutting the new MESH CARTRIDGE.

- (1) Using a tape measure, measure the length of the new MESH CARTRIDGE (writing this as well on the paper) and compare it to the dimension from the original MESH CYLINDER, from Step #3. **IMPORTANT**; If the size of both the old and new MESH CARTRIDGES are the same, skip procedure (2), and move to procedure (3) to the right.

If the dimension from the original MESH CYLINDER from Step #3 is smaller than that of the dimension from the new MESH CARTRIDGE, the new MESH CARTRIDGE will need to be cut. Uncoil the MESH from the MESH CARTRIDGE, and lay it flat and straight on the floor. Measuring from the end of the MESH CYLINDER that houses the LOCKING TAB, make a mark on both the new MESH CYLINDER and the SIDE BAR using the dimension from the original MESH CYLINDER in Step #3. Using a sharp hack saw, make a straight cut through the MESH CYLINDER and SIDE BAR.

Important Make certain the new CYLINDER and SIDE BAR are cut to the exact size of the old CYLINDER and SIDE BAR. Next, carefully make a straight cut through the MESH with a pair of sharp sissors.

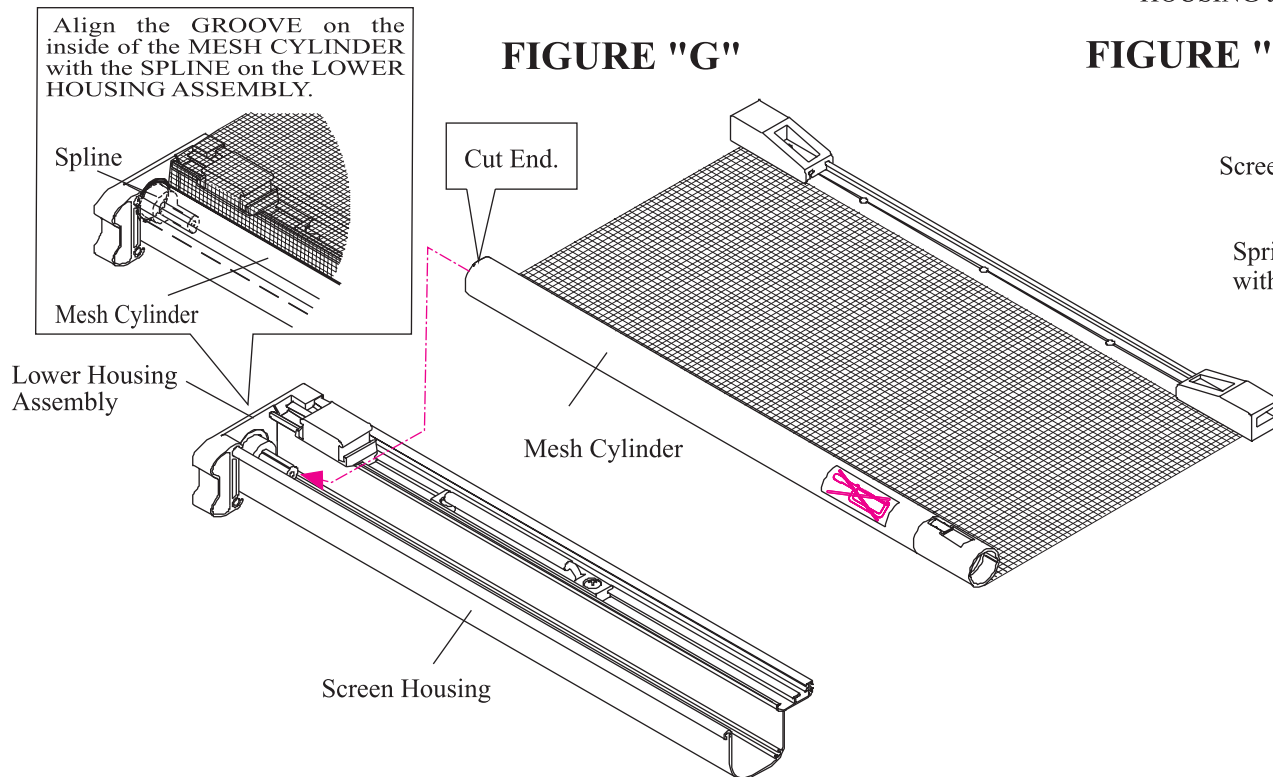
- (2) After cutting the MESH CYLINDER and SIDE BAR, use a file to remove the burrs from the cut surfaces, and carefully remove the filings from inside the cut end of the MESH CYLINDER.
IMPORTANT; PLEASE WEAR SAFETY EYEWEAR FOR THIS PROCEDURE.
- (3) Install original SIDE BAR CUSHIONS onto the new SIDE BAR.



Step #5 Installing the new MESH CARTRIDGE.

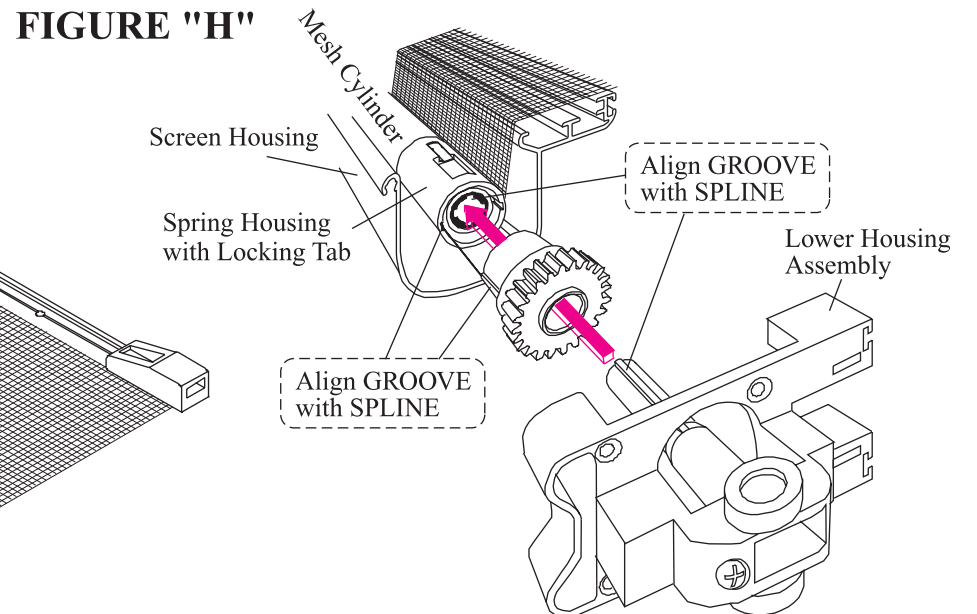
(1) Place the SCREEN HOUSING on the floor close to the MESH CYLINDER and insert the cut end of the MESH CYLINDER into the LOWER HOUSING ASSEMBLY on the SCREEN HOUSING aligning the groove inside the Mesh Cylinder with the SPLINE on the LOWER HOUSING ASSEMBLY.

(NOTE: This procedure assumes your Vista Roll Screen is mounted to the left side of the door, when viewed from the outside. If the Vista Roll Screen is mounted to the right side of the door, the cut end of the MESH CYLINDER would need to be inserted into the UPPER HOUSING ASSEMBLY.



(2) **(NOTE:** FIGURE "G" represents a left mount Vista Roll Screen, for a right mount, the LOWER HOUSING ASSEMBLY would be fitted as represented in FIGURE "H".

Insert the TENSION GEAR into the MESH CYLINDER'S SPRING ASSEMBLY, make certain to align the SPLINE on the TENSION GEAR with the GROOVE inside the MESH CYLINDER'S SPRING ASSEMBLY. Partially insert the UPPER HOUSING ASSEMBLY into the SCREEN HOUSING as illustrated in FIGURE "H", **(NOTE:** Do not insert screws as yet.



(3) Lay the entire unit flat on the floor, make certain the MESH is straight and flat. Pull the UPPER HOUSING ASSEMBLY out from the Screen Housing only enough so that it can turn freely but still be in contact with the MESH CYLINDER. Rotate the UPPER HOUSING ASSEMBLY as illustrated in FIGURE "I" clockwise 27 times to charge the SPRING. Once the SPRING is charged, lift the LOCKING TAB on the MESH CYLINDER and fully insert the UPPER HOUSING ASSEMBLY and screw firmly in place with the two screws in the top of the unit.

(NOTE: If the Vista is mounted to the right side of the door, the LOWER HOUSING ASSEMBLY would require rotation.

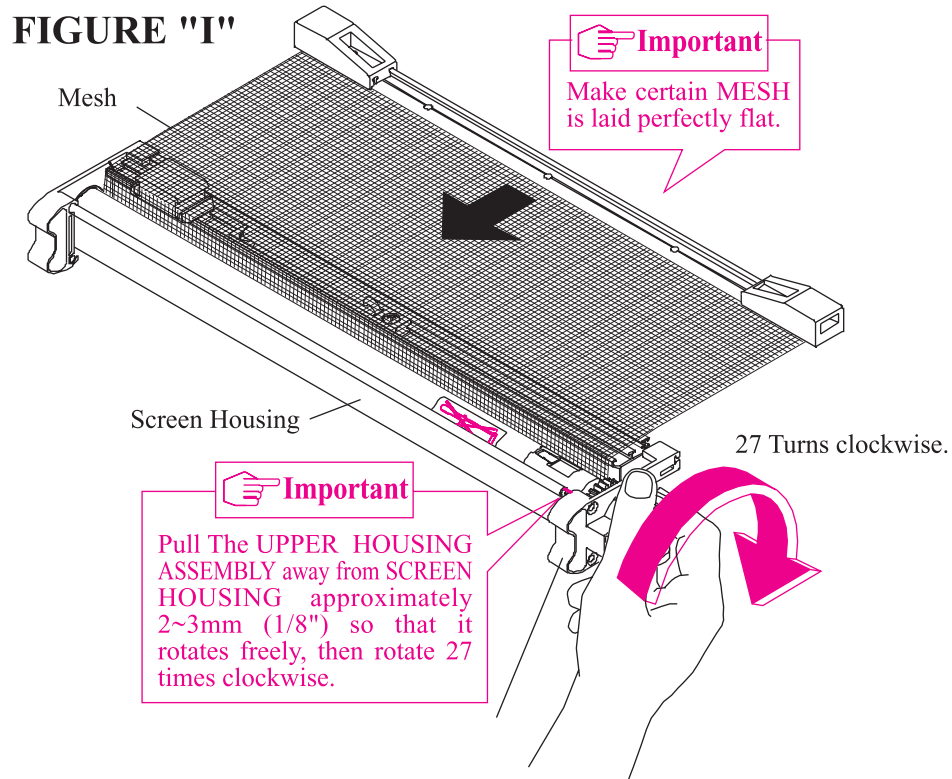
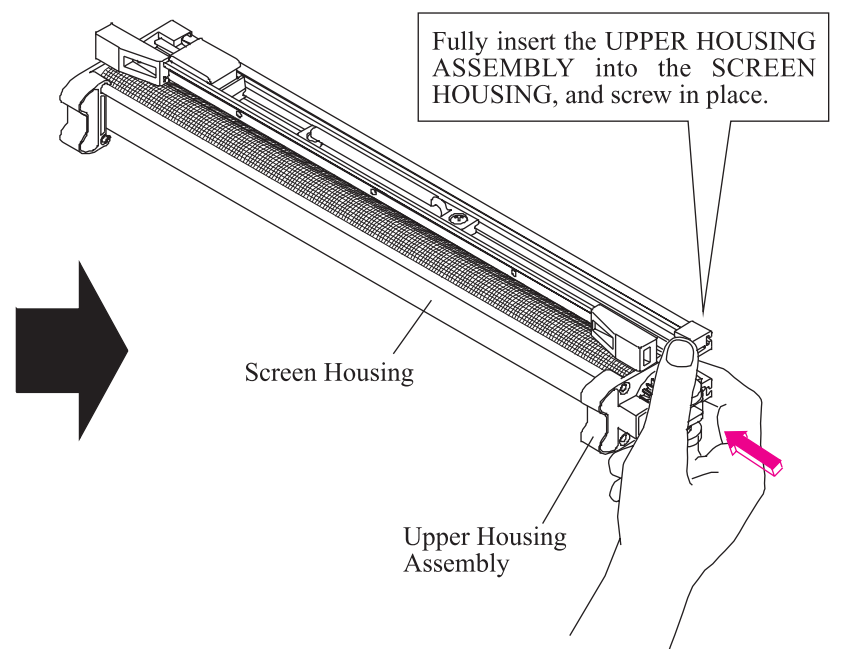
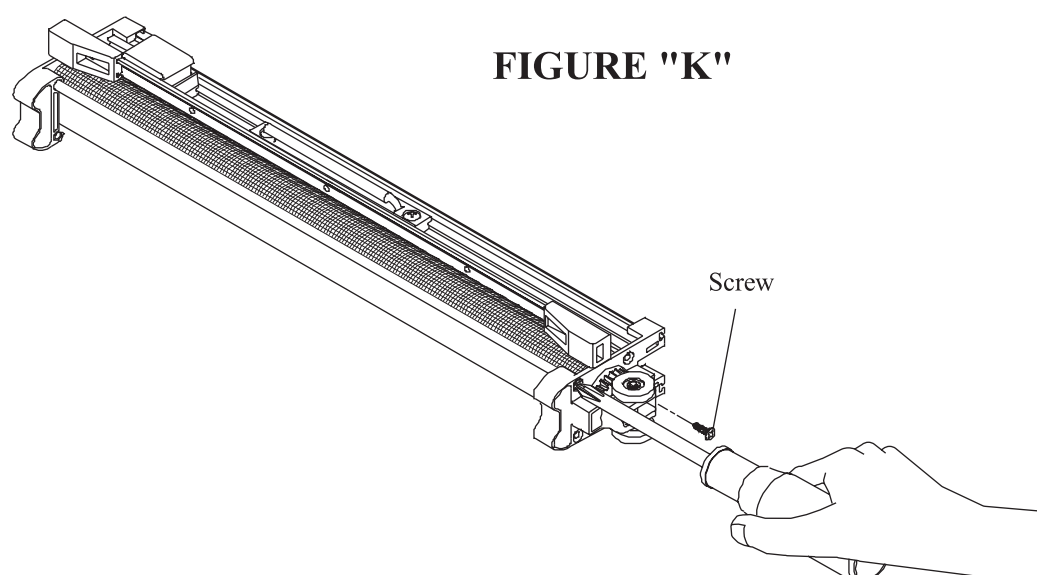


FIGURE "J"



(4) Make certain UPPER HOUSING ASSEMBLY is firmly screwed into SCREEN HOUSING, as illustrated in FIGURE "K".



The process is complete. Re-insert SCREEN HOUSING into TOP RAIL, screw SIDE BAR back to brick-mold, re-insert BOTTOM RAIL GUIDE into BOTTOM RAIL and screw BOTTOM RAIL back into the door sill or threshold.