

## <Monarch Screen Replacement Mesh Cartridge Installation Manual>

1-a. (for Single Screen)

Remove the Catch Frame and then the Top Rail by unscrewing.

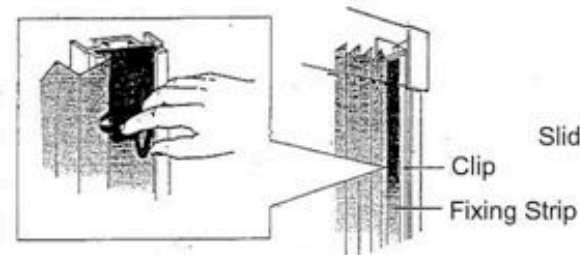
1-b. (for Double Screens)

Remove the Top Center Link and then the Top Rails by unscrewing.

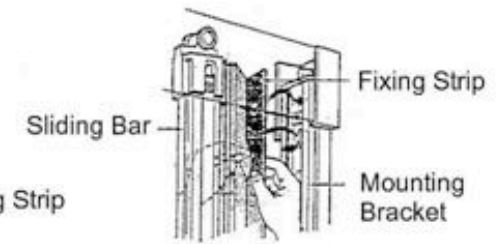
2. Remove the Clips and then the Fixing Strips.

Move the Sliding Bar and Mesh off to the side as indicated in the illustration.

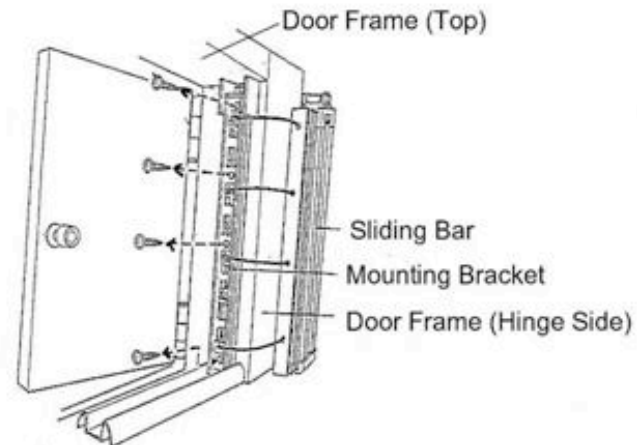
Remove the Mounting Bracket by unscrewing.



Remove the Clips.

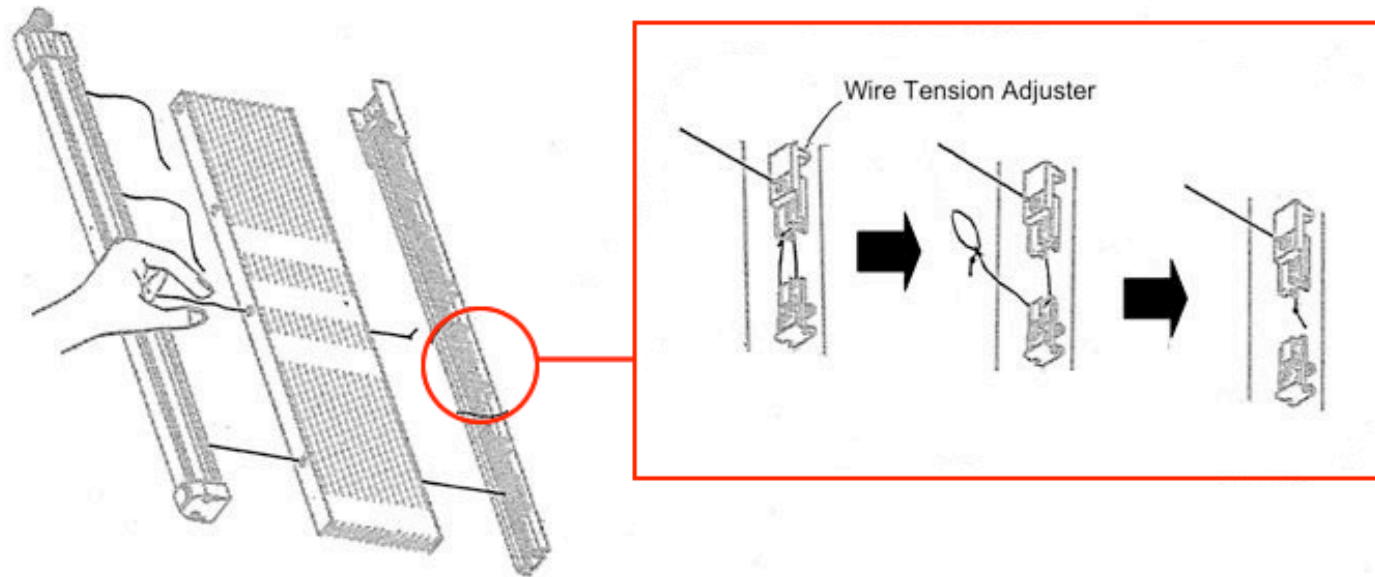


Remove the Fixing Strip.

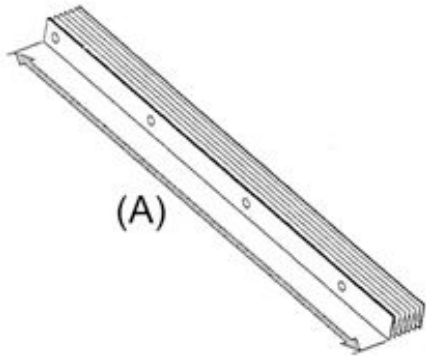


Remove the Mounting Bracket.

3. Lay the Screen Housing Assembly down.  
Take off all the wires from the Wire Tension Adjusters as  
indicated in the illustration.  
Then pull them out from the Mesh.

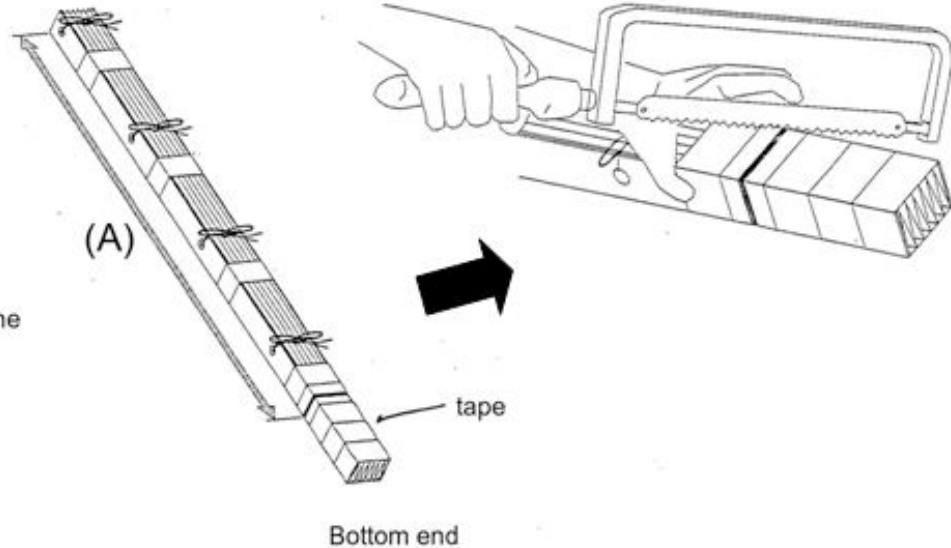


4. Measure the length of the existing Mesh (A).

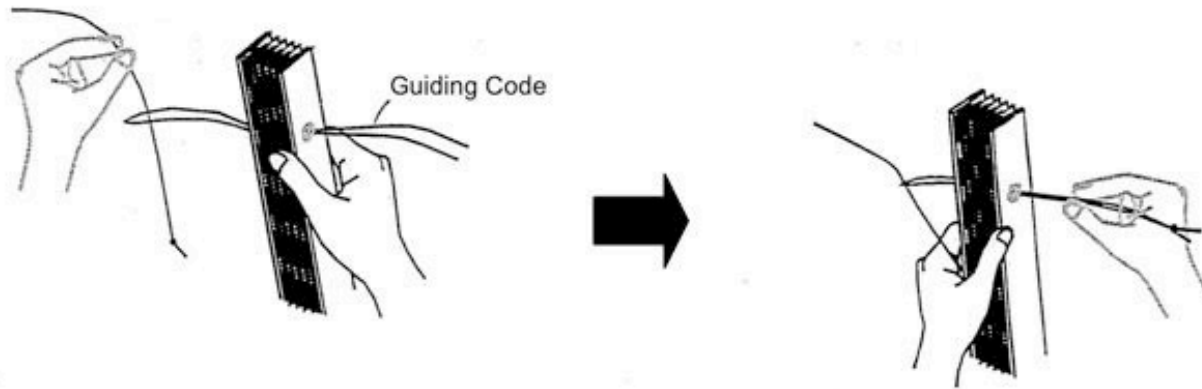


5. Confirm the length of the new Mesh Cartridge and compare this dimension to that of the existing Mesh. If the measurement of the existing and new Mesh Cartridge are the same, move to the step 6. If the length of the old Mesh is less than that of the Replacement Mesh Cartridge, the new Mesh Cartridge will require cutting. Measure and mark (A) from the top end of the Mesh that has no tape. ( In the case the Replacement Mesh Cartridge don't have tape. Measure and mark from the top end and tape the bottom end for cutting.) Using a hack saw cut the mark. (Do not cut off the wire halls.)

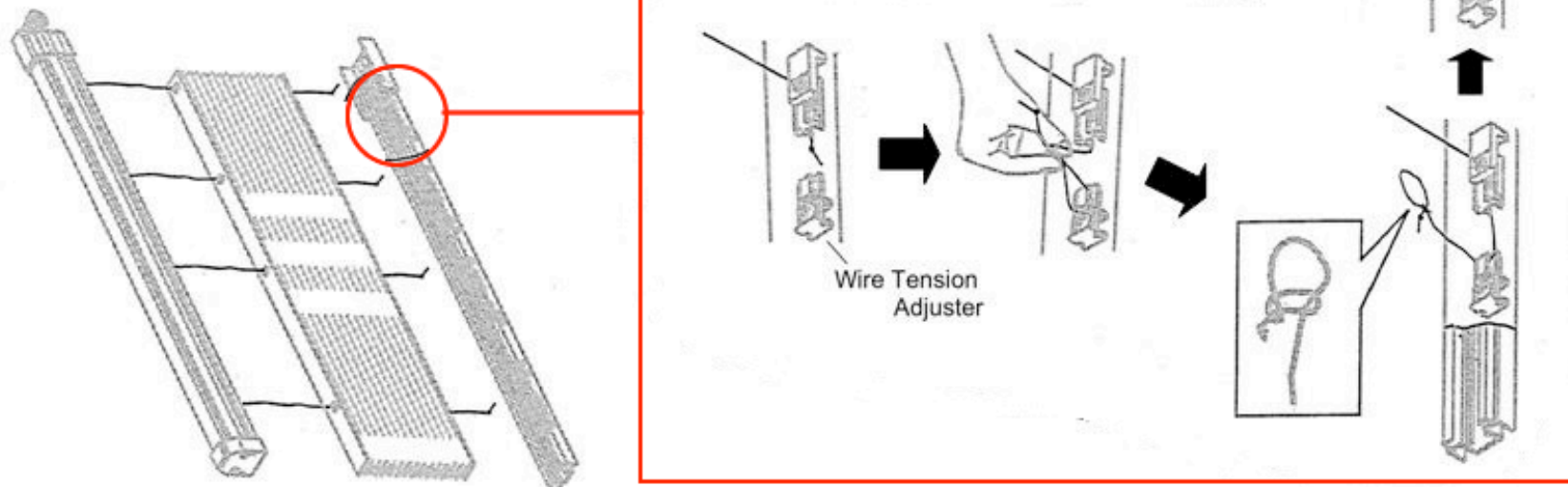
Top end  
(Wire hole is nearer  
than the other end.)



6. Remove all the tapes. Then insert each wires to the holes of the Fixing Strip and the Mesh using guiding Codes.



7. Set each wires to the Wire Tension Adjusters as indicated in the illustrations.



8. Re-install the screen onto the frame by reversing the procedure #2 and #1.