

VISTA ROLL SCREEN

Installation Manual

For installations onto double hinged door systems such as French Doors, two Vista Roll Screens and one Double Door Link Kit will be required. Please refer to the Installation Manual within the Double Door Link Kit prior to installation.

Key Components and Conditions

Figure A

These dimensions represent ideal conditions for installation. If the minimum dimensions are not available, the use of shims may be necessary to complete the installation.

- minimum 16 mm (5/8")
- minimum 17 mm (11/16")

Step #1 Parts List.

Tools Needed (not included)

- Hack saw, 32tpi
- Measuring tape
- Side cutters
- File
- Pen
- Carpenter square
- Philips screwdriver
- Electric drill
- Level

Step #2 Verify door hinge location and Select The Bottom Rail appropriate to your door type.

This manual assumes the installation of a Vista Roll Screen on a left hinged door when observed from the exterior. If the door is hinged on the right, Step #6 provides details for this application.

IMPORTANT: Any cutting must take place before converting to a right hinged application. If door is right hinged, complete Steps #1 through #5 then move to Step #6 before moving to Steps #7 through #11.

Depending upon the configuration of the exterior trim / brick-mold, and door sill / threshold, one of two different bottom rail designs can be used. Choose the one that best suits your exterior trim / brick-mold, and door sill / threshold configuration. Please refer to the diagrams below for reference. (See Step #9 for complete Bottom Rail installation instructions).

- Flush exterior trim / brick-mold, and door sill / threshold
 - If the height of the door sill / threshold is 15 mm (9/16") or higher, use LOW RAIL.
 - If the height of the door sill / threshold is less than 15 mm (9/16"), use HIGH RAIL.
- Exterior trim / brick-mold extends past the door sill / threshold (the height of the doorsill is 15 mm or higher) Use LOW RAIL and a spacer or shim. A thinly cut piece of lumber can be used as a spacer between the front of the door sill / threshold and LOW RAIL.
- Door sill / threshold extends past the exterior trim / brick-mold, use High Rail.
- Door sill / threshold has an existing rail for a flat panel screen, use HIGH RAIL.

• If your exterior trim / brick-mold and door sill / threshold configuration is not reflected herein, the use of shims may be required to complete the installation. Please refer to Step #9 for more information on the installation of the LOW & HIGH RAILS.

Figure B

Step #3 Confirm height and width of opening.

Figure C

- Confirm door dimensions where indicated in figure C and record in the appropriate box of the table in Step #4.
- For the width, measure the inside dimension between the right and left exterior trim / brick-mold, record smallest dimension in space provided.
- For height, measure dimensions between the exterior trim / brick-mold, and door sill / threshold at it's lowest point in it's slope.
- Measure the flat surface (F) of the upper exterior trim / brick-mold upwards from the bottom edge.

Step #4 Sizing the Vista Roll Screen to fit.

Sizing formula

Standard Vista Roll Screen can be installed on doors having widths up to 914mm (36"), and heights of between 2036 and 2047mm (80 1/8" and 80 9/16") when using LOW RAIL, and heights of between 2051 and 2062mm (80 3/4" and 81 3/16") when using HIGH RAIL, refer to Step #3 to confirm proper measurements. However, re-sizing will be required in some conditions. Please go through following calculation to confirm. Enter the smallest (W) and (H) measurement from Step #3 in the table below to calculate finished dimensions. Adjust components according to the results in boxes (A) and (B).

Width.	914 mm (36")	Measured width (W)	- () =	Cut this portion (A)
Height.	2047 mm (80 9/16")	Use of Low Rail Measured height (H)	- () =	Cut this portion (B)
	2062 mm (81 3/16")	Use of High Rail Measured height (H)	- () =	Cut this portion (B)

If the dimension in Box (B) is 11 mm (7/16") or less, use the following formula:

$$16\text{mm} + () = (S)$$

If dimension (S) is less than dimension (F) (identified in Step #3), DO NOT CUT THE SCREEN HOUSING, as it can be installed as is. If dimension (S) is greater than dimension (F), the SCREEN HOUSING will need to be re-sized.

Example; This exercise illustrates how much you would need to cut from the TOP and BOTTOM RAILS and the SCREEN HOUSING if your door were 800mm (31 1/2") wide, and 2,000mm (78 3/4") in height.

Width.	914 mm - (800 mm) = 114 mm	Measured width (W)	Cut this portion (A)	36" - (31 1/2") = 4 1/2"	Measured width (W)	Cut this portion (A)
Height.	2047 mm - (2000 mm) = 47 mm	Use of Low Rail Measured height (H)	Cut this portion (B)	80 9/16" - (78 3/4") = 1 13/16"	Use of Low Rail Measured height (H)	Cut this portion (B)
	2062 mm - (2000 mm) = 62 mm	Use of High Rail Measured height (H)	Cut this portion (B)	81 3/16" - (78 3/4") = 2 7/16"	Use of High Rail Measured height (H)	Cut this portion (B)

Step #5 Cutting Instructions for Non-standard installations.

■ Cutting the SCREEN HOUSING.

Important; Even if the cutting of the SCREEN HOUSING is not needed, please complete this Step #5, commencing with Figure F through to Figure J.

- Tighten the screw in the top of the UPPER HOUSING ASSEMBLY, as illustrated in Figure D.
- Remove the screws from the LOWER HOUSING ASSEMBLY and remove the LOWER HOUSING ASSEMBLY from the SCREEN HOUSING as illustrated in Figure D.

Figure D

Important: Tighten the screw on the UPPER HOUSING ASSEMBLY.

Do not remove until installation is complete.

- Using the dimension from box (S) in Step #4, carefully measure and mark the SCREEN HOUSING. Cut only from bottom end where indicated with label. Transfer your mark to all surfaces of the SCREEN HOUSING to ensure a straight cut. Use a sharp 32 teeth per inch hack saw or a meter saw to make this cut. **NOTE; PLEASE WEAR SAFETY EYEWEAR FOR THIS PROCEDURE.**

Figure E

After cutting file to remove burrs from the cut surfaces, and carefully remove filings from inside the cylinder. **NOTE; PLEASE WEAR SAFETY EYEWEAR FOR THIS PROCEDURE.**

Do not remove until installation is complete.

Important: Cut only from bottom as indicated by hack saw illustration.

- Insert the SIDE BAR CUSHION onto the SIDE BAR. Slide the HANDLE and the BOTTOM RAIL GUIDE onto the SCREEN HOUSING before refitting the LOWER HOUSING ASSEMBLY to the SCREEN HOUSING.

Figure F

Do not remove until installation is complete.

Insure that the SIDE BAR CUSHION is pushed completely in place.

- Loosen the screw on the top of the UPPER HOUSING ASSEMBLY until the head of the screw is slightly above the top of the assembly. Remove the black tape, slide the HANDLE to the center and fix it by tightening the set screw.

Figure G

Loosen the screw on the UPPER HOUSING ASSEMBLY. Loosen until the screw head is slightly above the top of the assembly.

Remove the black tape.

Move the HANDLE to the center of the SCREEN HOUSING, tighten the set screw. Do not over tighten.

■ Cutting the TOP RAIL.

Important Note: For Left hinged doors (viewed from the outside) only cut the Top Rail from the left hand side (viewed from the outside). For Right hinged doors only cut the Top Rail from the right hand side.

- Carefully measure and mark the TOP RAIL referring to your dimension in Step #4, in box (A). Transfer the pen mark around the entire surface of the TOP RAIL to ensure a straight cut.

Note; If your door is hinged on the left (viewed from the outside) cut from the side shown in Figure H if door is hinged on the right, cut from the opposite side.

Figure H

Cut this portion (A)

- Install the TENSION GEAR BRACKET to the TOP RAIL with the screw provided, as illustrated below.

Figure I

The uncut end.

If after cutting the TOP RAIL the hole at the opposite end is still visible, place the color sticker provided over the hole to cover it.

Screw hole

Color Sticker

Tension Gear Bracket

Set Screw [for Tension Gear Bracket]

■ Cutting the BOTTOM RAIL.

Using the same dimension as used for the TOP RAIL, carefully measure and mark the using BOTTOM RAIL, then proceed to cut to the desired length.

Figure J

Low Rail

High Rail

Cut this portion (A)

Cut this portion (A)

Step #6 Application for right hinged doors. **IMPORTANT; If your door is hinged on the left, ignore this step and proceed to Step #7.**

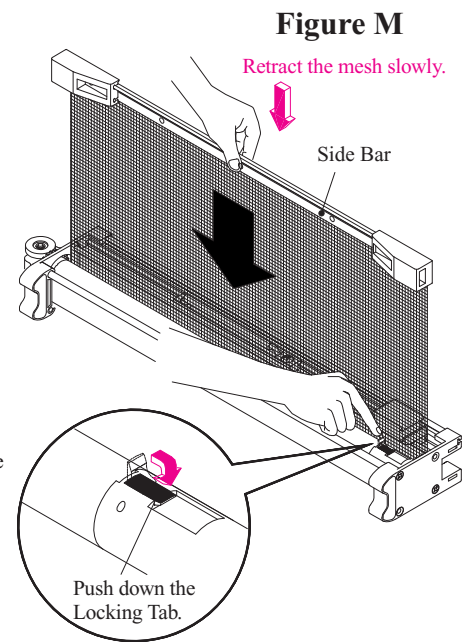
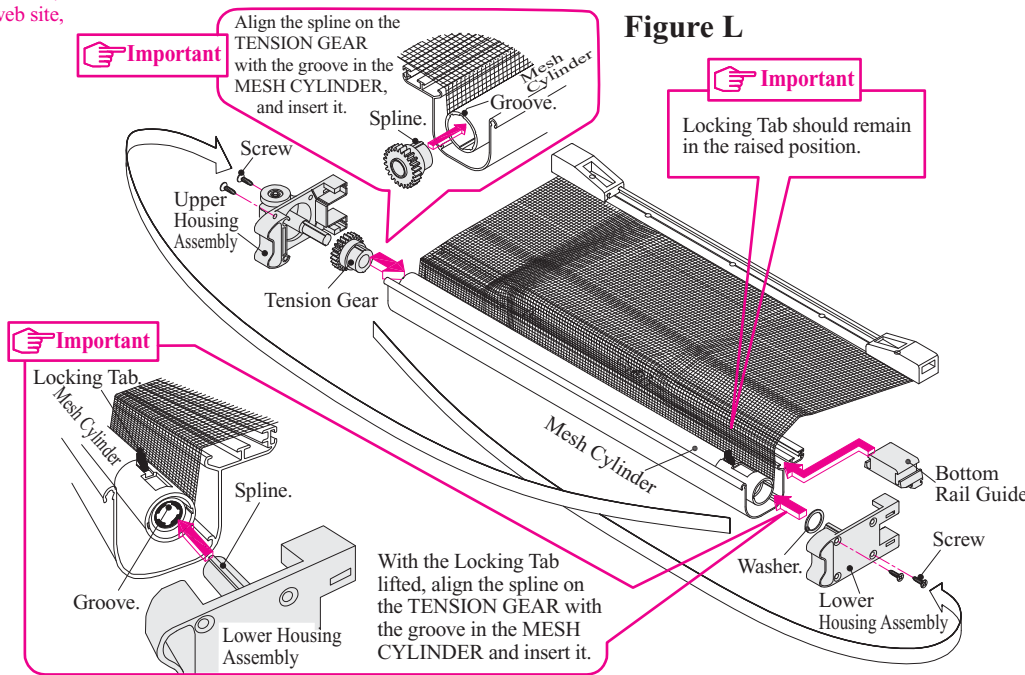
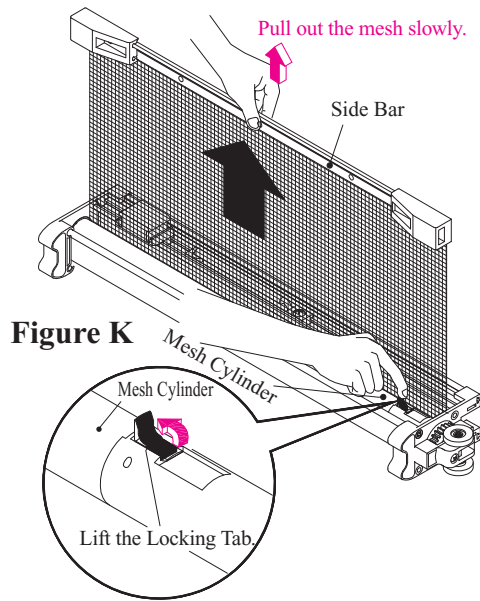
Note: This procedure is only necessary if your door is hinged on the right when viewed from the outside, if this is the case, please follow the steps below.

- (1) Place the SCREEN HOUSING on the floor and slowly pull the SIDE BAR until all the mesh is uncoiled and the aluminum MESH CYLINDER is visible. Then, lift the LOCKING TAB

If the Locking Tab is depressed, the spring will lose its tension, and will require resetting. To reset the spring, visit our web site, www.seikiscreensystems.com/vista.

- (2) Remove the two screws in the UPPER and LOWER HOUSING ASSEMBLIES, remove both UPPER and LOWER HOUSING ASSEMBLIES and place them at opposite ends of the SCREEN HOUSING from their original positions. Note: Make certain before you place the HOUSING ASSEMBLIES in their respective positions, that you have both the HANDLE and the BOTTOM RAIL GUIDE fitted to the SCREEN HOUSING (Refer to Step #5 (4)).

- (3) While holding the SIDE BAR, push down the Locking Tab so that the tension on the spring is re-engaged. Gently allow the mesh to retract into the SCREEN HOUSING.



Step #7A Installing the TOP Rail.

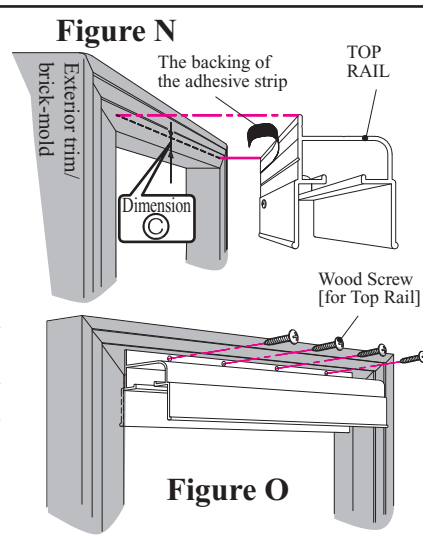
Installation for standard sizes.
(IF SCREEN HOUSING has not been cut, continue with Step #7A.)
(IF SCREEN HOUSING has been cut, refer to Step #7B.)

- (1) To determine the location of the TOP RAIL, refer to the cut dimension calculated in Step #4, box (B). Add 16mm (5/8") to dimension (B) from Step #4 to arrive at the location of the TOP RAIL (Dimension (C)).

$$16\text{mm} \left(\frac{5}{8}'' \right) + \text{Dimension (B)} = \text{Dimension (C)}$$

- (2) Carefully measure Dimension (C) from the bottom edge of the exterior trim or brick-mold. Make a mark, and using level extend the mark across the entire length of the exterior trim or brick-mold.
- (3) Remove the backing of the adhesive strip on the back of the TOP RAIL refer figure N.
- (4) Position the top of the TOP RAIL to correspond with the mark on the exterior trim or brick-mold. Press the TOP RAIL to the trim so that the adhesive tape holds it in place temporarily.
- (5) To install the TOP RAIL use wood screws provided.

Note: In the event that pre-drilled holes were removed during the cutting procedure it may be necessary to provide a new hole.

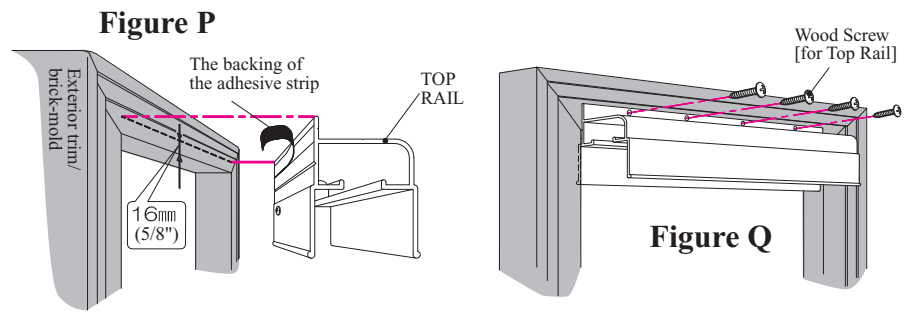


Step #7B

Installation instruction for non standard size
(IF SCREEN HOUSING HAS BEEN CUT)

- (1) Remove the backing of the adhesive strip on the back of the TOP RAIL refer to figure P.
- (2) Position the top of the TOP RAIL 16mm (5/8") from the bottom edge of the exterior trim or brick-mold.
- (3) Install the TOP RAIL using wood screws provided.

Note: In the event that pre-drilled holes were removed during the cutting procedure it may be necessary to drill a new hole.

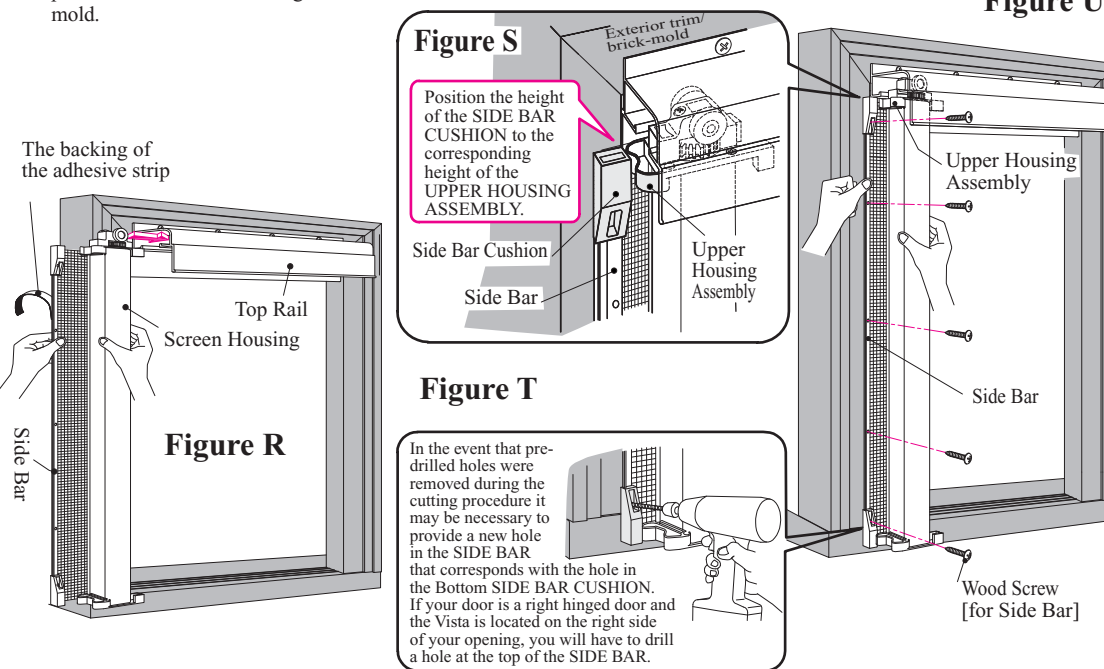


Step #8 Installing the SCREEN HOUSING.

IMPORTANT; Before installing the SCREEN HOUSING, make certain the HANDLE, the BOTTOM RAIL GUIDE and the SIDE BAR CUSHION have been installed. For completing this procedure, refer to Step #5 (4).

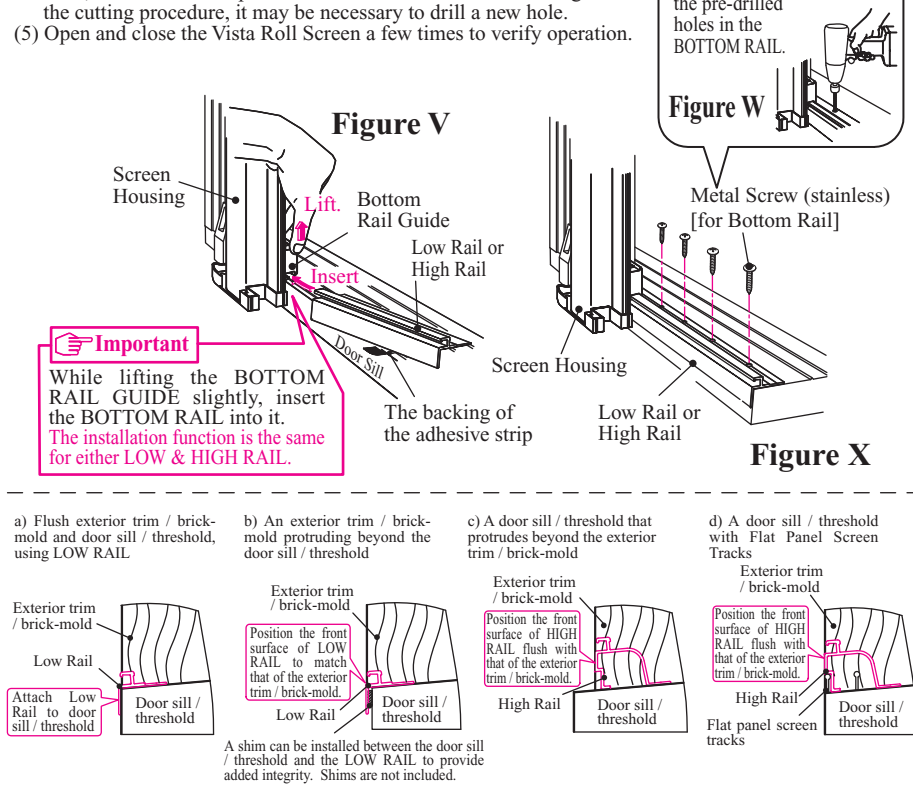
- (1) Remove the backing from the adhesive strip on the back of the SIDE BAR and fit the rollers on the SCREEN HOUSING in to TOP RAIL. If the insertion of the SCREEN HOUSING into the TOP RAIL is encumbered by brick or exterior trim / brick-mold, it may be necessary to insert the SCREEN HOUSING into the TOP RAIL prior to the TOP RAIL being affixed to the exterior trim / brick-mold.

- (2) Making certain the mesh is kept flat, fit the SIDE BAR to the inside edge of the exterior trim or brick-mold, making sure it is square or at a 90 degree angle to the TOP RAIL.
- (3) Install SIDE BAR using wood screws provided.



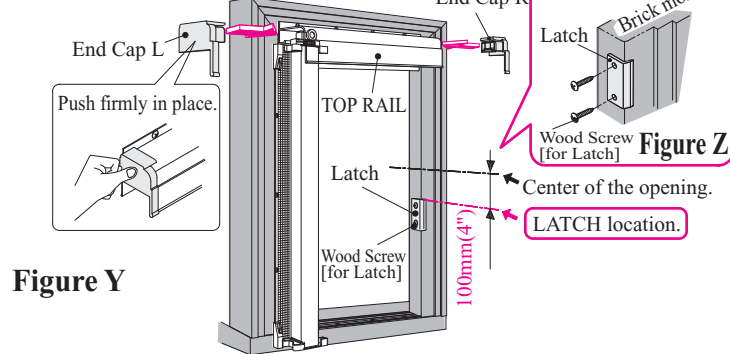
Step #9 Installing the BOTTOM RAIL.

- (1) Remove the backing from the adhesive strip on the back side of the using BOTTOM RAIL.
- (2) Insert the BOTTOM RAIL into the BOTTOM RAIL GUIDE.
- (3) If the exterior trim / brick-mold and door sill / threshold are flush and LOW RAIL is used (diagram a), attach LOW RAIL to door sill / threshold. In the other case, position the front surface of BOTTOM RAIL flush with that of the exterior trim / brick-mold.
- (4) Using the BOTTOM RAIL provided as a guide drill holes through the door sill or threshold. Using the metal screws provided install the BOTTOM RAIL to the door sill or threshold. Note: In the event that pre-drilled holes were eliminated during the cutting procedure, it may be necessary to drill a new hole.
- (5) Open and close the Vista Roll Screen a few times to verify operation.



Step #10 Install the LATCH and END CAPS.

- (1) Using the wood screws provided, fasten the LATCH to the inner edge of the exterior trim or brick-mold. The LATCH should be located 100mm (4") below the center of the door opening.
- (2) Insert the END CAPS into both ends of the TOP RAIL.



Step #11 Final Steps

- (1) Adhere the SCREEN HOUSING LABEL. Attach it at the same height as the LATCH. If the SCREEN HOUSING is installed to the left side of the door (viewed from the outside), use the Label "AL". If the SCREEN HOUSING is installed to the right side of the door (viewed from the outside), use the Label "AR".
- (2) Cut the unused portion of the LOWER HOUSING ASSEMBLY with side cutters where indicated. Refer to figure AA.

The installation is now completed.

